

INDUSTRIAL TUMBLE DRYERS

CD 165
CD 220
CD 350
CD 450
CD 550
CD 700



IPSO





CD 165 · 220 · 350 · 450 · 550 · 700



Large door

- Easy loading and unloading
- Opens 180°
- Option: left or right opening

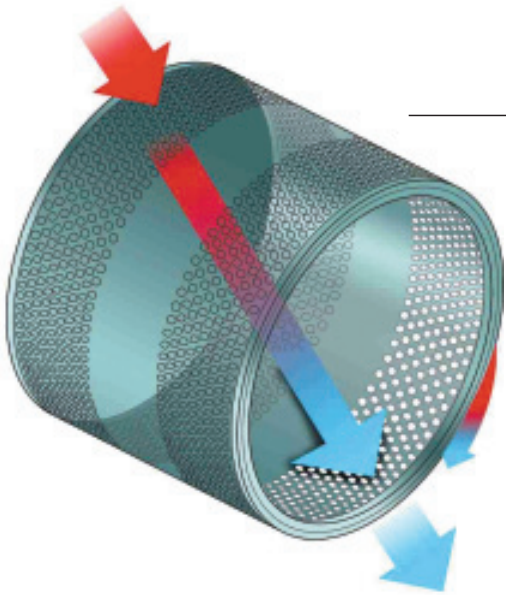
Door opening

- Reinforced hinge
- Two magnetic door contacts



Heating: 3 possibilities

- Gas heating: dryers are equipped with an electronic ignition and comply with the most strict regulations (only available on CD220 and CD350)
- Steam heating: the steam battery can resist a pressure of 10 bar, ensuring a longer life span
- Electrical heating: the high quality heating elements guarantee a perfect drying process



Diagonal airflow: PATENTED

- Heat covers the longest distance in the dryer
- Most energy efficient
- Unique concept

Lint filter

- Extra large lint filter
- Filter is made of stainless steel = easy cleaning
- Easy access



Back side

- Easy accessibility to the vital parts
- Easy service
- Quick replacement of the belt



DX3

Easy and most flexible microprocessor with 3 freely adaptable programmes

- Temperature can be freely programmed per degree
- Both the drying and cool-down times are easily programmable

PRO HC

Professional control

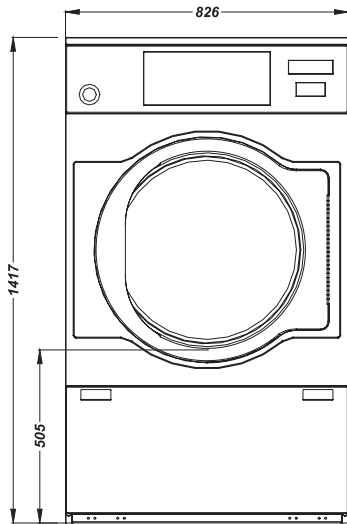
- Simple to programme or to copy programmes
- Two very clearly readable displays
- Possibility to create 30 programmes
- Possibility to stop the cycle at a certain moisture level



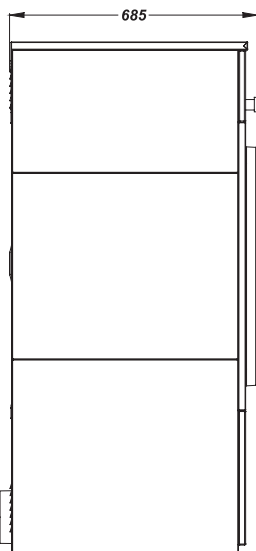
Motor

- Reverse drum action standard !
- Prevents tangling of the linen
- Lower drying time = less energy consumption

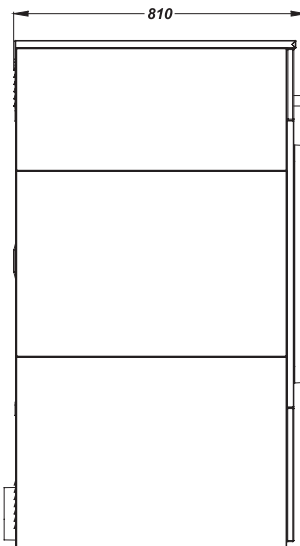
front view CD 165 - 220 - 350



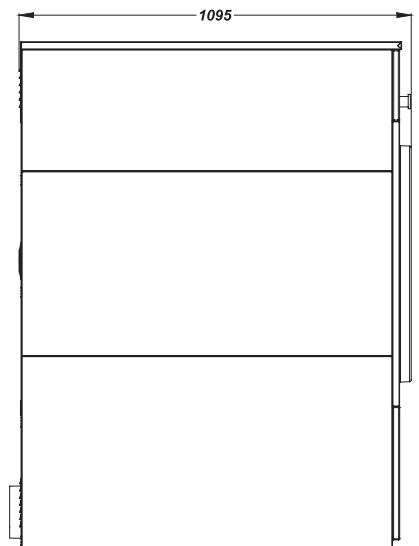
side view CD 165



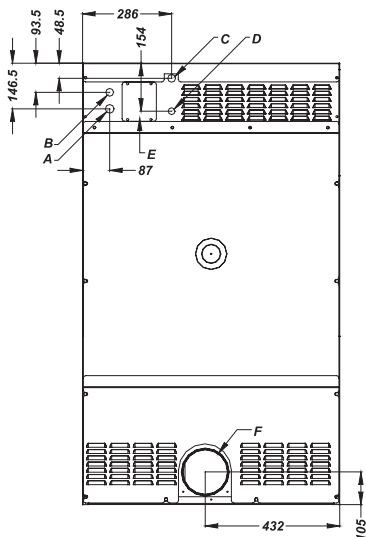
side view CD 220



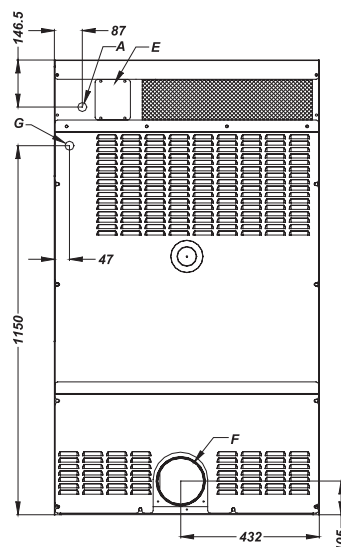
side view CD 350



rear view steam / electric



rear view gas



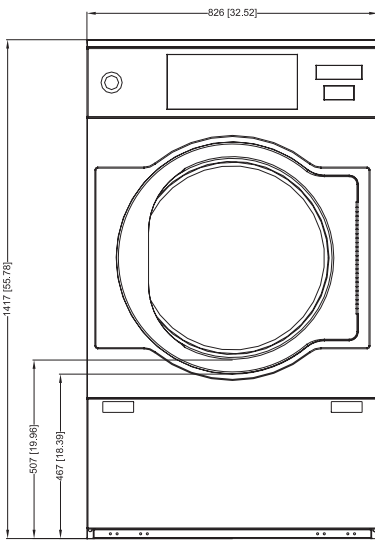
- A. Electrical connection
- B. Electrical connection steam valve
- C. Steam inlet 3/4"
- D. Steam outlet 1/2"
- E. Connection clamps
- F. Exhaust diameter 150mm
- G. Gas inlet 1/2"

TECHNICAL SPECIFICATIONS CD 165 - 220 - 350

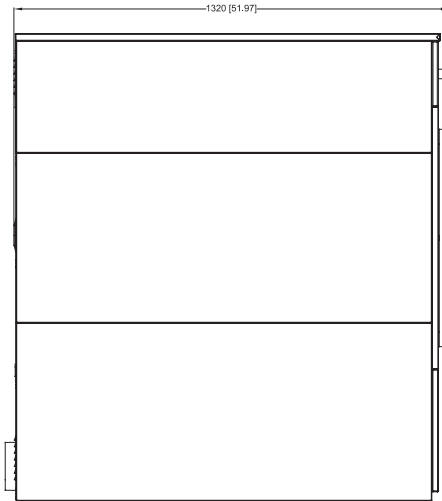
		CD 165		CD 220		CD 350	
Capacity	Dry linen (25:1) (kg)	6,6		8,8		14	
	Dry linen (20:1) (kg)	8,3		11		17,5	
Drum	Volume (L)	165		222		351	
	Diameter (mm)	760		760		760	
	Depth (mm)	365		490		775	
Cabinet	Height (mm)	1417		1417		1417	
	Width (mm)	826		826		826	
	Depth (mm)	685		810		1095	
Door opening diameter (mm)		590		590		590	
Door width (mm)		690		690		690	
Loading height (mm)		480		480		480	
Temperature	Min. (°C)	25		25		25	
	Max. (°C)	90		90		90	
Heating	Electrical (kW)	8		9		18	
	Gas (kW)	-		12		15	
	Steam (kW)	14		20		30	
Steam connection	Inlet (")	3/4		3/4		3/4	
	Outlet (")	1/2		1/2		1/2	
Gas connection	Connection (")	-		1/2		1/2	
	Pressure (mbar)	-		20/28,37		20/28,37	
Power motor	Drum (W)	120		120		120	
	Fan (W)	285		285		285	
Exhaust	Diameter (mm)	150		150		150	
Evacuated air (m ³ /h)		508		508		508	
Weight	Nett (kg)	185		214		283	
	Gross (kg)	210		244		320	
Packing dimensions	Height (mm)	1550		1550		1550	
	Width (mm)	900		900		900	
	Depth (mm)	820		920		1220	
	Volume (m ³)	1,14		1,28		1,70	
Type of heating		POWER SUPPLY - FUSES					
		230/3Ph	400/3Ph	230/3Ph	400/3Ph	230/3Ph	400/3Ph
Electrical heating CD 165 8kW		26 A	16 A				
Electrical heating CD 220 9kW				40 A	25 A		
Electrical heating CD 350 18kW						63 A	50 A
Gas heating				10 A	10 A	10 A	10 A
Steam heating		10 A	10 A	10 A	10 A	10 A	10 A

All specifications subject to change without notice

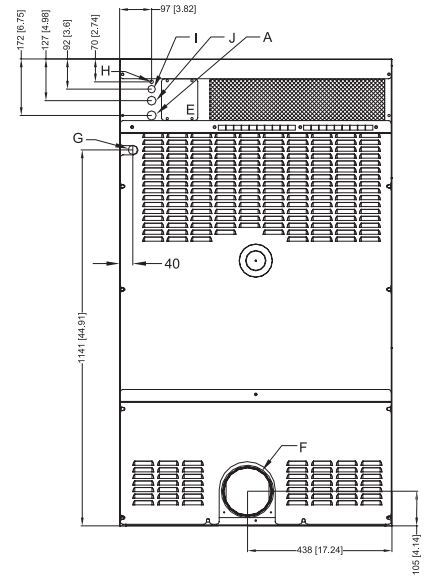
front view CD 450



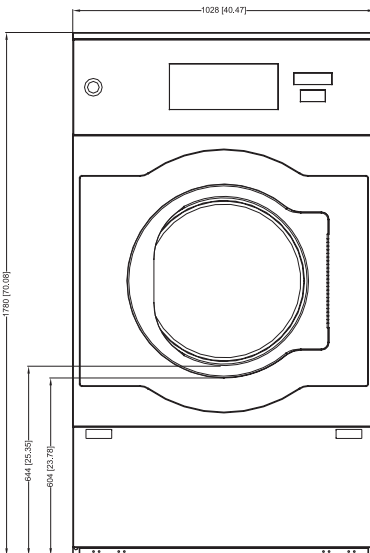
side view CD 450



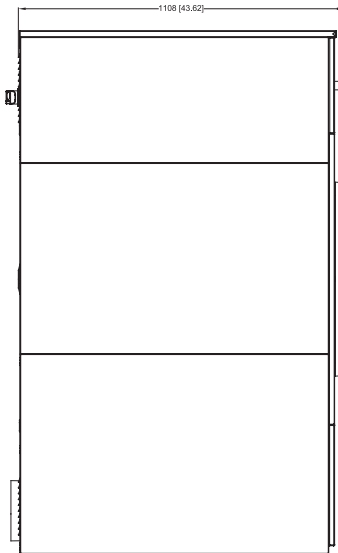
back view CD 450



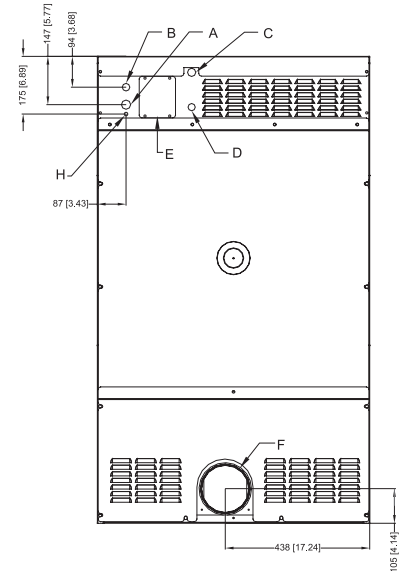
front view CD 550/700



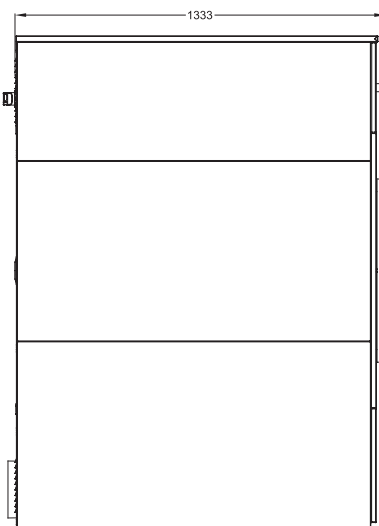
side view CD 550



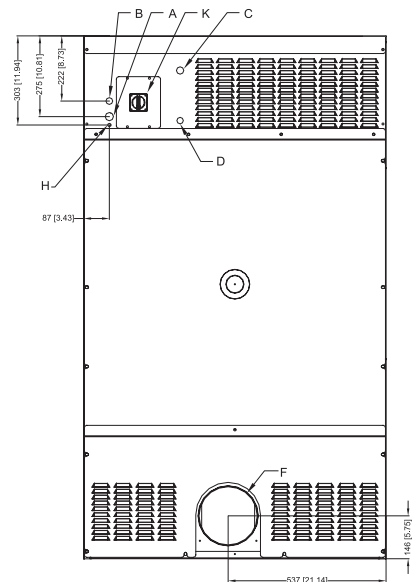
back view CD 450



side view CD 700



back view CD 550/700



- A. Electrical connection
- B. Electrical connection steam valve
- C. Steam inlet 3/4"
- D. Steam outlet 1/2"
- E. Connection clamps
- F. Exhaust diameter 150mm
- H. Measuring point pressure switch
- K. Main switch

TECHNICAL SPECIFICATIONS CD 450 - 550 - 700

		CD 450	CD 550	CD 700		
Capacity	Dry linen (25:1) (kg)	18	22	28		
	Dry linen (20:1) (kg)	22,5	27,5	35		
Drum	Volume (L)	454	542	700		
	Diameter (mm)	760	944	944		
	Depth (mm)	1000	775	1000		
Cabinet	Height (mm)	1417	1780	1780		
	Width (mm)	826	1028	1028		
	Depth (mm)	1320	1108	1333		
Door opening diameter (mm)		590	590	590		
Door width (mm)		690	690	690		
Loading height (mm)		480	630	630		
Temperature	Min. (°C)	25	25	25		
	Max. (°C)	90	90	90		
Heating	Electrical (kW)	20	27	27		
Steam connection	Inlet (")	3/4	3/4	3/4		
	Outlet (")	1/2	1/2	1/2		
Power motor	Drum (W)	120	150	150		
	Fan (W)	360	700	700		
Exhaust	Diameter (mm)	150	200	200		
	Evacuated air (m³/h)	508	1301	1301		
Weight	Nett (kg)	288	375	411		
	Gross (kg)	325	420	461		
Packing dimensions	Height (mm)	1570	1933	1933		
	Width (mm)	914	1116	1116		
	Depth (mm)	1440	1227	1452		
	Volume (m³)	2,07	2,65	3,13		
Type of heating	POWER SUPPLY – FUSES					
	230V/3Ph	400V/3Ph	230V/3Ph	400V/3Ph	230V/3Ph	400V/3Ph
Electrical heating CD 450 20 kW	63 A	40 A				
Electrical heating CD 550 20 kW			80 A	50 A		
Electrical heating CD 700 27 kW					80 A	50 A
Steam heating	16 A	16 A	16 A	16 A	16 A	16 A

All specifications subject to change without notice

