



LAUNDRY SOLUTIONS
YOU CAN *DEPEND* ON.

MAYTAG® COMMERCIAL ENERGY ADVANTAGE™ RIGID-MOUNT FRONT-LOAD WASHER

MORE ENERGY-SAVING SOLUTIONS THAN ANY OTHER BRAND

Maytag built the first appliance ever to receive the ENERGY STAR® label. Today we offer more high-efficiency laundry appliances than any other brand — from energy-efficient dryers to highly efficient ENERGY STAR®-qualified washers — to help you save money and build profits.



MICROPROCESSOR CONTROLS

Maytag® controls provide simple one-touch cycle selection. Multilingual readouts make them easy for everyone to operate.

FOR YOUR OPERATION:

- Inverter Drive Technology For Longer Life
- Big-Load Design With Oversized Door Opening
- Easy-To-Operate Microprocessor Controls
- Adjustable Water Temperatures And Levels
- TurboWash™ System Cuts Water Usage By Up To 44%*
- Standard Manual Dispenser System
- Liquid Chemical Supply Hookup
- 8 Chemical Supply Signals
- Extra-Large Drain Valve
- Extra-Large Door And Handle
- Easy Service Access
- Programmable LCD Digital Display Shows English, Spanish, French Or 13 Additional Languages

BUILT-TO-LAST™ FEATURES:

- Commercial-Duty Door Handles, Belts And Frame
- Extra-Large Drain Valve
- Durable Sealed Bearings
- Stainless Steel Top, Front And Sides

* Compared to previous Maytag® MFR washers. Total savings may vary by model.

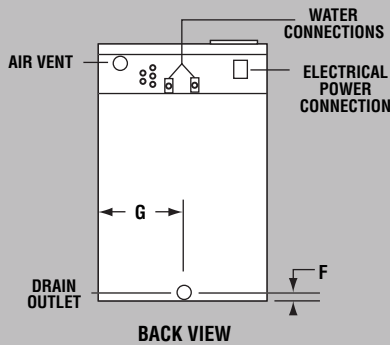
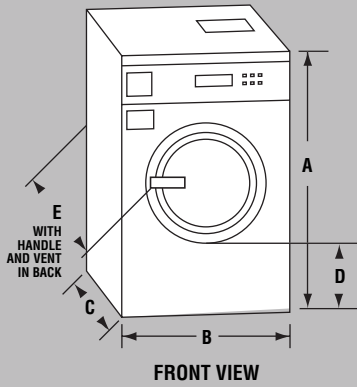
MFR60PN



CLEANS BETTER WITH
LESS WATER
TO CUT UTILITY COSTS.

Maytag® Energy Advantage™ Rigid-Mount Washer Extractor

MICROPROCESSOR NON-COIN



Energy Advantage™ Rigid-Mount Washer Extractor

WASHER SPECIFICATIONS	
MODEL	MFR60PN
MOTOR	
Inverter drive	•
Variable speed	•
HP (kw)	3 (2.2)
Voltage	208 – 240V Single-Phase/Three-Phase
BREAKER SIZE — amps	20
SPEED	
Wash speed — maximum rpm	50
Extract speed — maximum rpm	490
Extract speed — maximum g-force	100
WATER INLET/HOSE	
Water inlet — in. (cm)	.75 (1.9)
Operating pressure — psi (bar)	14.5 – 116 (1 – 8)
Drain size — in. (cm)	3.0 (7.5) O.D.
CAPACITY	
Lbs. (kg)	60 (27)
Cylinder volume — cu. ft. (liters)	9.5 (270)
Cylinder diameter — in. (cm)	29.5 (75)
Cylinder depth — in. (cm)	24.0 (61)
COLOR	
Stainless Steel	•
APPROXIMATE WEIGHT	
Crated — lbs. (kg)	1,047 (475)
Uncrated — lbs. (kg)	915 (415)
DIMENSIONS	
A) Height — in. (cm)	54.33 (138.0)
B) Width — in. (cm)	34.25 (87.0)
C) Depth — in. (cm)	40.95 (104.0)
D) Floor to bottom of door — in. (cm)	15.3 (38.9)
E) Depth including handle and vent on back — in. (cm)	44.84 (113.9)
F) Floor to drain outlet center — in. (cm)	3.47 (88)
G) Side to drain outlet center — in. (cm)	17.13 (43.5)
Door Opening — in. (cm)	19.84 (50.4)
See specific instructions for proper installation. Because of continuous product improvement, Maytag reserves the right to change specifications without notice.	

MAYTAG® LIMITED WARRANTY

2 YEARS — ALL PARTS
5 YEARS — SHELL, WELDED FRAME ASSEMBLY, BASKET, SHAFT ASSEMBLY, BEARINGS AND SEALS.

For a period from the date of original purchase through the time listed above, the designated parts that fail in normal commercial use will be repaired or replaced free of charge for the part itself, with the owner paying all other costs, including labor, transportation and customs duty. Chemical damage is excluded from all warranty coverage. See complete warranty for details.



NEW YORK CITY
M.E.A.

