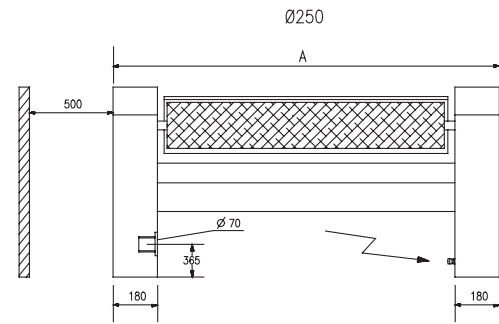
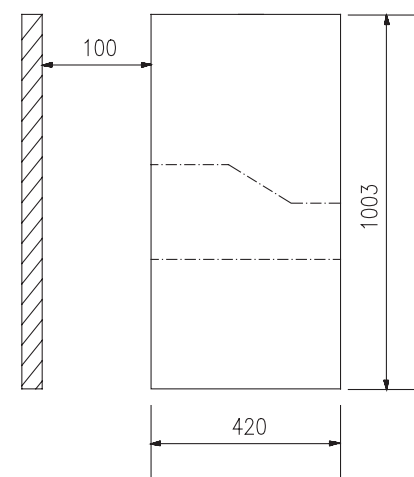


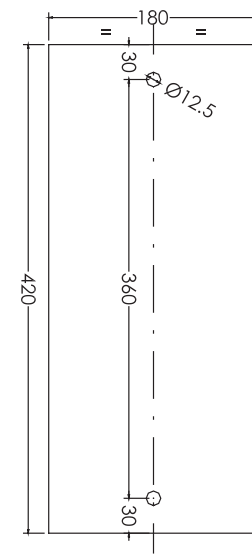
front view RI Ø 250



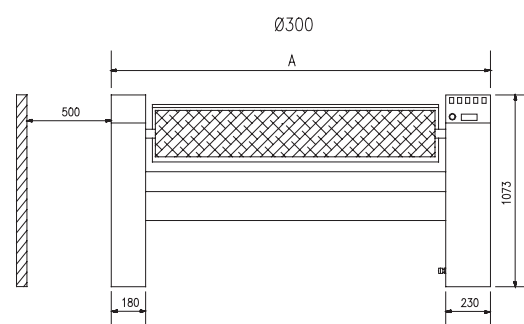
side view RI Ø 250



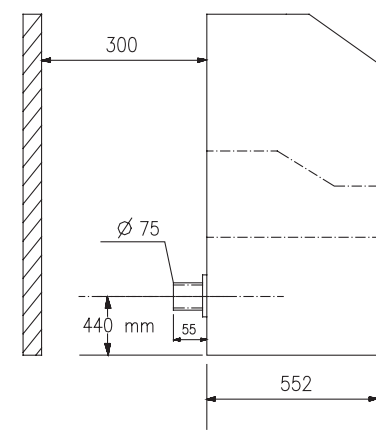
top view RI Ø 250



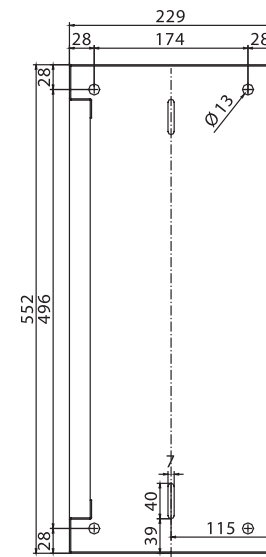
front view RI Ø 300



side view RI Ø 300



top view RI Ø 300



TECHNICAL SPECIFICATIONS RI

		RI1000/25	RI1200/25	RI1400/25	RI1600/30	RI2001/30AV
Roller	Length (mm)	1000	1200	1400	1600	2000
	Diameter (mm)	250	250	250	300	300
	Speed (m/min)	3,8 1-5 (*)	3,8 1-5 (*)	3,8 1-5 (**)(**)(***)	3,8 1-5 (**)(**)(***)	1 - 5 (***)
Capacity (kg/h)		25 (Rest. Humidity 15%)	30 (R.H. 15%)	35 (R.H. 25%) 38 (***)	50 (R.H. 25%)	60 (R.H. 25%) 65 (***)
	Dimensions					
	Height (mm)	1003	1003	1003	1073	1073
	Width (mm)	1440	1640	1840	2090	2490
	Depth (mm)	420	420	420	552	552
Weight	Nett (kg)	94	100	106	221	243
	Gross (kg)	119	124	128	245	271
Fuses	230V / 3 / 50Hz	20	25	25	40	50
	400V / 3 / 50Hz	16	16	16	25	32
	440V / 3 / 60Hz	16	16	16	25	32
Heating (kW)		6	6,9	7,5	11,4	15
Total power (kW)		6,18	7,08	7,68	12,5	16,1
Exhaust fan (m³/h)		-	-	200 (**)(***) (diameter 70x55mm)	300 (**)(***) (diameter 75x55mm)	300 (**)(***) (diameter 75x55mm)
	Packing dimensions					
		Height (mm)	1160	1160	1160	1250
	Width (mm)	1560	1760	1960	2200	2600
	Depth (mm)	530	530	530	660	660
	Volume (m³)	0,96	1,08	1,21	1,82	2,15

All specifications subject to change without notice

(*) Option F: variable ironing speed - frequency inverter

(**) Option AV: variable ironing speed and exhaust

(***) Option AVL: variable ironing speed and exhaust & lamellar padding



Alliance International bvba, Nieuwstraat 146, B-8560 Wevelgem (Belgium)
Tel +32 56/41 20 54 - Fax +32 56/41 86 74 - info@ipso.be - WWW.IPSO.BE

PRINTED ON 60% FIBRE RECYCLED PAPER. RI10001012009

FLATWORK IRONERS



RI1000/25
RI1200/25
RI1400/25
RI1600/30
RI2001/30AV





R11000/25 · R11200/25 · R11400/25 · R11600/30 · R12001/30AV



New RI roller ironer range

- Attractive design
- Reduced dimensions increasing installation possibilities
- Epoxy powder paint finish



Microprocessor controlled

- Efficient & user-friendly
- Electronic thermoregulation offering better temperature distribution and reduced energy consumption

Excellent performance & perfect quality finish

- Homogeneous ironing pressure to ensure top ironing quality
- Electronic thermoregulation
- 2 temperature sensors standard ensuring stable temperature levels
- Long-life heating elements
- Chromed steel basin avoiding temperature buckling and ensuring top ironing quality



Wooden feeding board & top safety features

- Finger guard protection standard
- Emergency stop button

Easy to service

- All vital components are easily accessible
- Reduced number of mechanical and moving parts for a lower maintenance cost



Options

- Frequency inverter enabling variable ironing speed
- Lamellar spring padding, allowing the machine to operate with higher residual humidity at higher temperatures
- Coin operated RI ironers