

NORMAL SPIN WASHER EXTRACTORS

WF 65
WF 75
WF 100
WF 135
WF 150
WF 165
WF 185
WF 235
WF 305
WF 400





WF 65 - 75 - 100 - 135 - 150 - 165 - 185 - 235 - 305 - 400

WF: Hard mount & standard inverter drive

- New range of standard inverter drive controlled hard mount washer extractors
- Normal spin speeds (80 - 90G)



Door

- Easy loading & unloading
- Over-dimensioned hinges
- Stainless steel with a matt finish
- Door handle: safe, ergonomic & comfortable



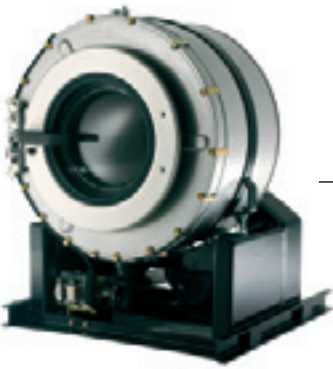
PVC connection

- Simple and efficient connection of the soap pumps

Connection from the soap box to the tub

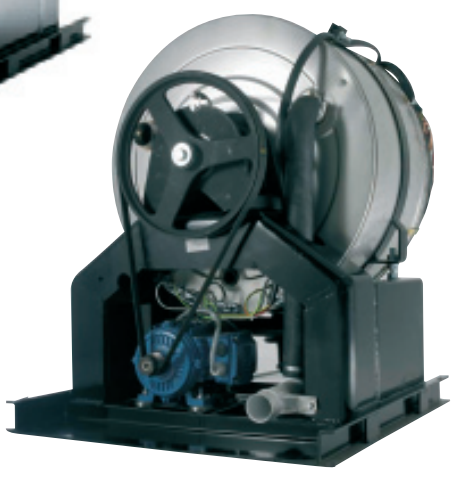
- Connection at the back of the tub
- No aggressive detergents directly on the linen
- Less noise





Famous A-frame construction

- Very solid construction
- Frame: made out of welded structural steel
- Conducts the vibrations straight into the ground & maximizes stability



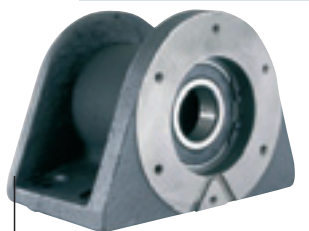
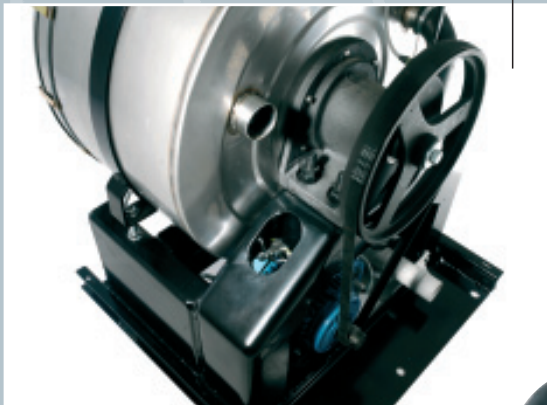
Drain valve in front directly under the tub

- Less water consumption
- Easily accessible from the front
- Self-cleaning water level hose



Poly V-belt: Unique concept:

- Elastic
- Self tensioning
- Easy to install/replace
- Longer life span
- Less noise



Heavy-duty bearing house

- Oversized industrial bearing house
- Single piece of cast iron
- Rigid support to the basket
- High quality industrial bearings
- Axial sealing made out of graphite: proven IPSO concept

Standard inverter drive

- Washing and spin speeds freely programmable
- Rotation and stop time freely programmable from 0,1 till 60 sec
- Low sound level
- Less unbalances
- Less current peaks
- ⇒ Longer life span of your IPSO washer extractor





WF 65 - 75 - 100 - 135 - 150 - 165 - 185 - 235 - 305 - 400

MICRO 20

- Easy to use
- Up to 99 programmes
- Temperature and water level freely programmable
- Time delay start-up feature

MICRO 20 coin

- Up to 20 programmes

SIGMA

- Same features as Micro 20
- Infra-red port: easy downloading of programmes from laptop
- Serial port RS 485: machines can be put in a network
- 1000 programmable sections divided over 100 programmes

SIGMA coin

- Alarm can be activated



PS40

- Freely programmable
- 10 standard programmes
- 40 freely programmable wash programmes
- Temperature, water level, cycle time and rpm freely programmable
- Connection up to 12 pumps for liquid soap
- Control of 2 drain valves (option)
- Infra-red port facilitates the downloading of programmes

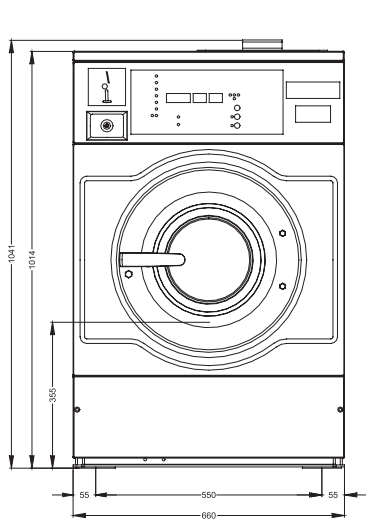


Cygnus Professional

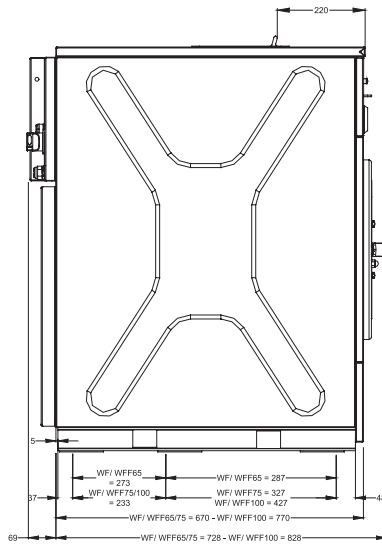
Cygnus Professional allows modification of wash data & parameters at any time, even during the wash cycle.

- Large LCD-display: easily understandable
- Possibility to consult the complete history/logbook of all wash facts on the display
- Extensive help-function: extensive assistance to solve the error

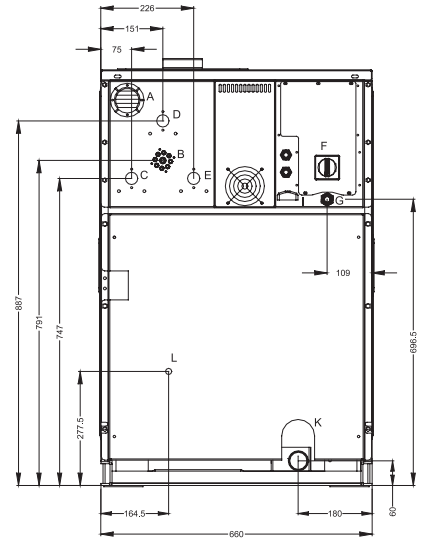
front view WF 65/75/100



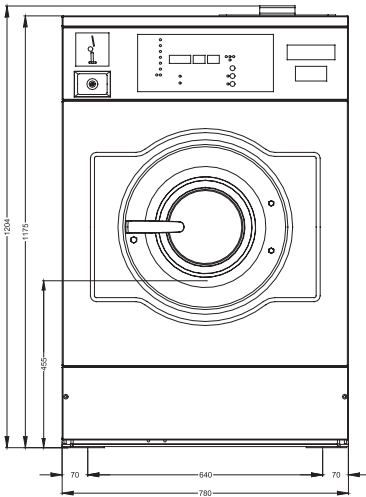
side view WF 65/75/100



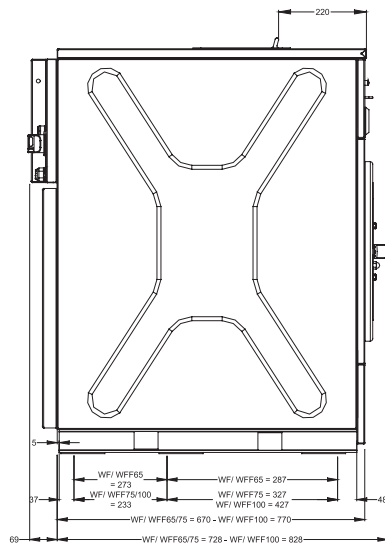
back view WF 65/75/100



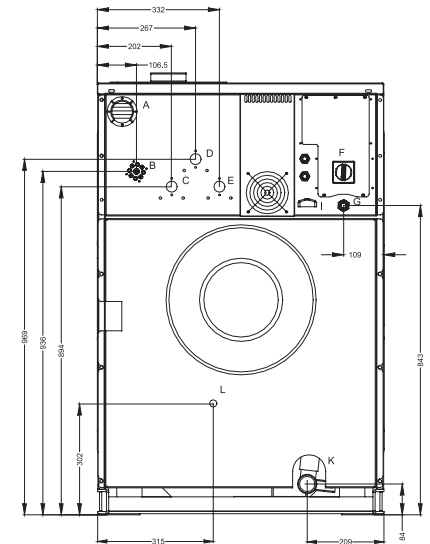
front view WF 135/165



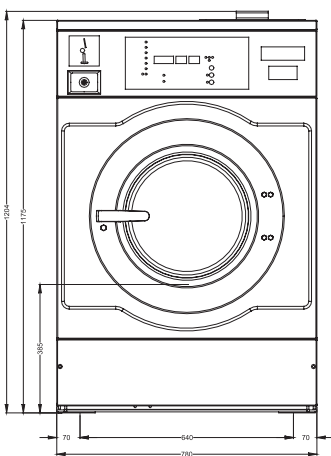
side view WF 135/165



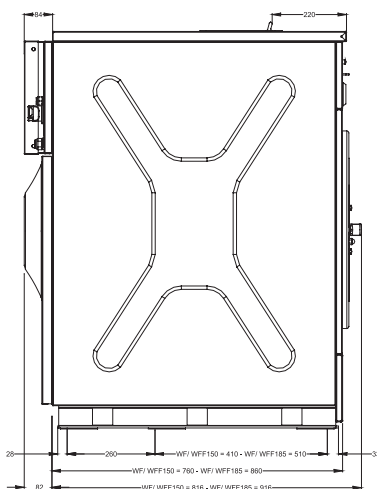
back view WF 135/165



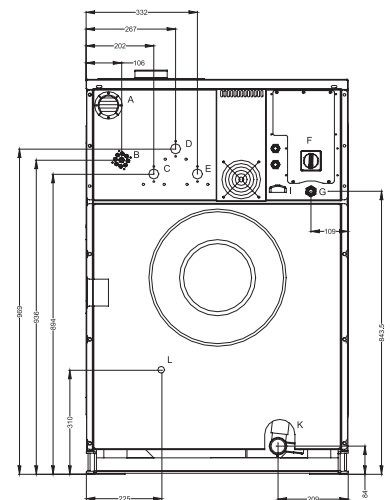
front view WF 150/185



side view WF 150/185



back view WF 150/185



- A. Ventilation soap dispenser
- B. Liquid soap connections
- C. Hard water connections 3/4"

- D. Warm water connections 3/4"
- E. Soft water connections 3/4"
- F. Connections clamps

- G. Electrical connections
- I. Ventilation tub
- K. Drain valve
- L. Steam connection

TECHNICAL SPECIFICATIONS WF 65 - 75 - 100 - 135 - 165

		WF 65	WF 75	WF 100	WF 135	WF 165							
Cylinder	Capacity 1/9 (kg)	7,2	8,1	10,5	14,6	18,3							
	Capacity 1/10 (kg)	6,5	7,3	9,5	13,2	16,5							
	Volume (L)	65	73	95	132	165							
	Diameter (mm)	530	530	530	650	650							
	Depth (mm)	295	330	440	400	500							
	Perforations diam. (mm) **	3	3	3	3	3							
Door opening diam. (mm)		300	300	300	300	300							
Height under door (mm)		282	282	282	377	377							
Speed	Spin (rpm)	250 - 525	250 - 525	250 - 525	250 - 475	250 - 475							
	Wash (rpm)	10 - 50	10 - 50	10 - 50	10 - 50	10 - 50							
G-Force		82	82	82	82	82							
Kinetic energy of the cylinder (N/m)		528	592	770	1035	1294							
Dynamic bottom load (N/Hz)		867/8,75	1000/8,75	1333/8,75	1300/7,9	1700/7,9							
Power motor (kW)		0,37	0,37	0,37	0,75	0,75							
Water pressure (bar)		3 - 5	3 - 5	3 - 5	3 - 5	3 - 5							
Hot water temp (°C)		80	80	80	80	80							
Warm water need (boiler fed) (L/cycle)		55	65	80	120	120							
Diameter drain (mm) ***		50 (2")	50 (2")	50 (2")	50 (2")	50 (2")							
Drain by gravity (L/min)		80	80	80	80	80							
Steam connection (")		3/8	3/8	3/8	3/8	3/8							
Steam pressure (bar)		2,0 - 5,5	2,0 - 5,5	2,0 - 5,5	2,0 - 5,5	2,0 - 5,5							
Weight	Nett (kg)	174	181	200	280	298							
	Gross (kg)	192	196	209	293	310							
Dimensions	Height (mm)	1014	1014	1014	1175	1175							
	Width (mm)	660	660	660	780	780							
	Depth (mm)	670	670	770	760	860							
Packing dimensions	Height (mm)	1170	1170	1170	1350	1350							
	Width (mm)	730	730	730	850	850							
	Depth (mm)	840	840	950	950	1020							
	Volume (m³)	0,72	0,72	0,81	1,09	1,17							
Type of heating		POWER SUPPLY - FUSES											
		230V 3AC	230V tri+N	400V tri+N	230V 3AC	230V tri+N	400V tri+N	230V 3AC	230V tri+N	400V tri+N	230V 3AC	230V tri+N	400V tri+N
Boiler fed		16A			16A			16A			16A		
Steam heating		16A			16A			16A			16A		
Electrical heating 3 kW		20A			20A								
Electrical heating 4,2 kW		25A 16A 16A			25A 16A 16A			25A 16A 16A					
Electrical heating 6 kW		32A* 20A* 16A*			32A 20A 16A			32A 20A 16A			40A 25A 16A		
Electrical heating 9 kW		50A 32A 20A			50A* 32A* 20A*			50A* 32A* 20A*			50A 32A 20A		
Electrical heating 12 kW					25A			25A			40A* 25A*		
Electrical heating 15 kW											50A 32A		
Electrical heating 18 kW											63A 40A		
Electrical heating 21 kW											40A		
Electrical heating 24 kW											50A		

All specifications subject to change without notice

* Standard heating

** 9 mm perforation diam. optionally available

*** Diameter drain 75 mm (3") optionally available from WF75 till WF185

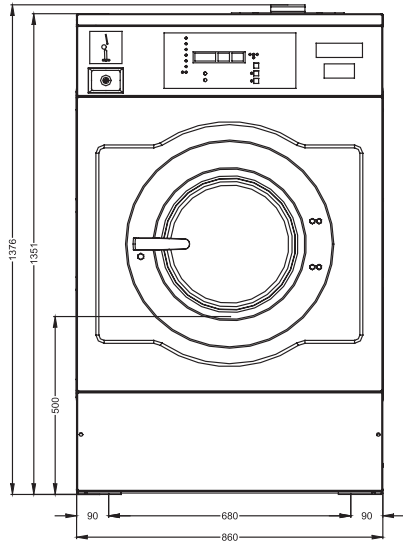
A. Ventilation soap dispenser
B. Liquid soap connections
C. Hard water connections 3/4"

D. Warm water connections 3/4"
E. Soft water connections 3/4"
F. Connections clamps

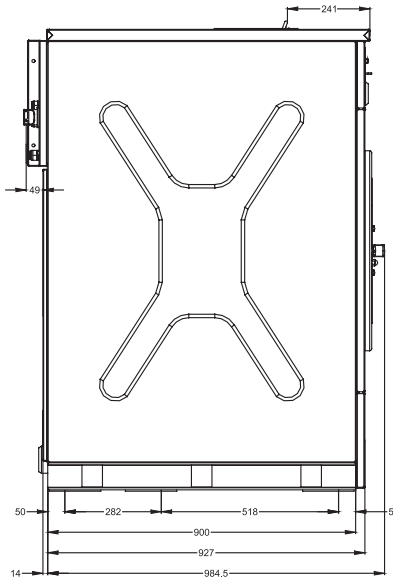
G. Electrical connections
I. Ventilation tub
K. Drain valve
L. Steam connection



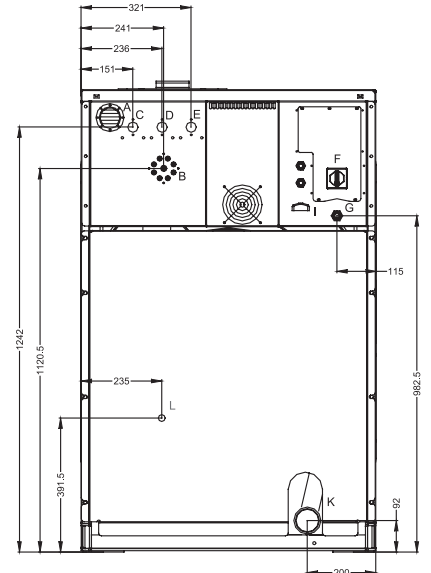
front view WF 235



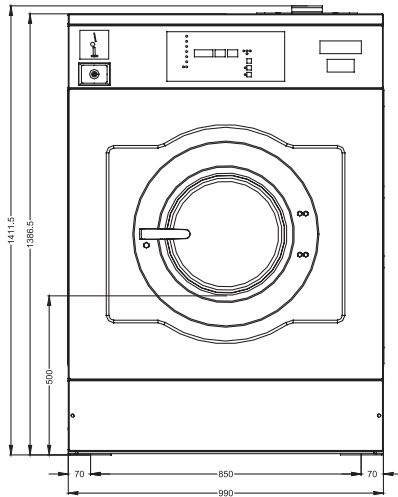
side view WF 235



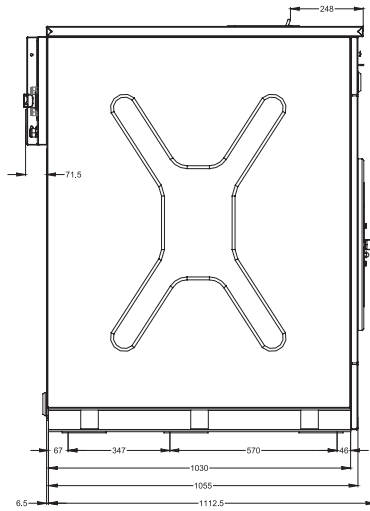
back view WF 235



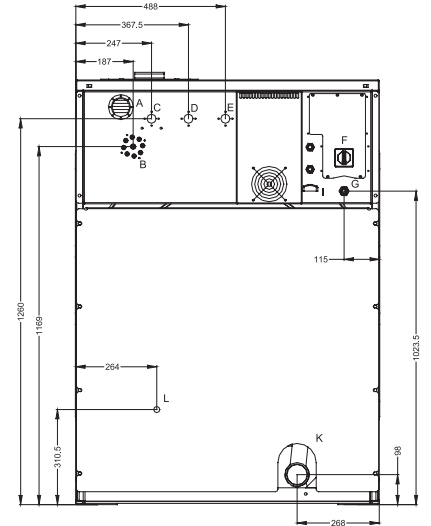
front view WF 305



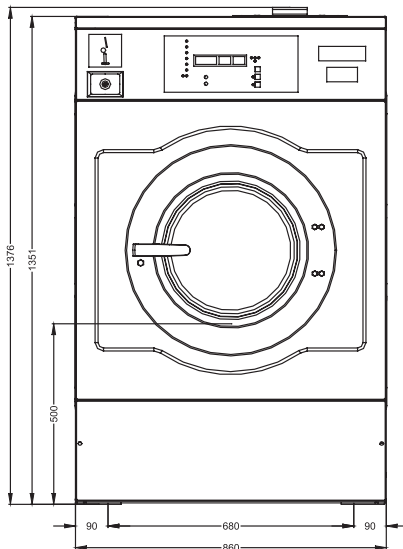
side view WF 305



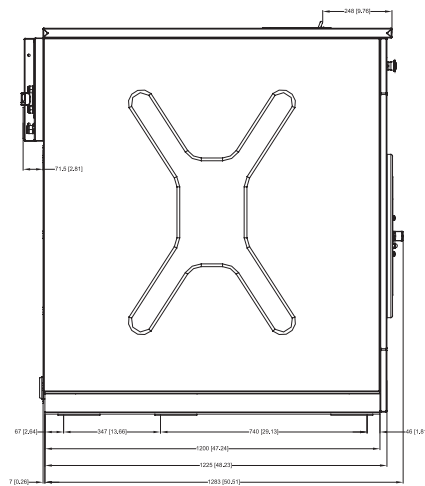
back view WF 305



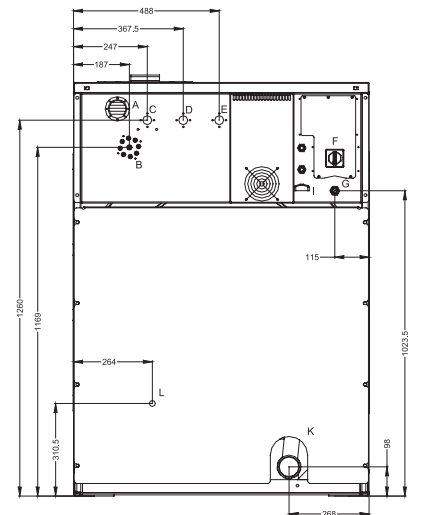
front view WF 400



side view WF 400



back view WF 400



TECHNICAL SPECIFICATIONS WF 150 - 185 - 235 - 305 - 400

		WF 150	WF 185	WF 235	WF 305	WF 400									
Cylinder	Capacity 1/9 (kg)	16,1	20,1	26	33,7	43,9									
	Capacity 1/10 (kg)	14,5	18,1	23,4	30,4	40									
	Volume (L)	145	181	234	304	400									
	Diameter (mm)	680	680	750	850	850									
	Depth (mm)	400	500	530	537	707									
	Perforations diam. (mm) **	3	3	3	3	3									
Door opening diam. (mm)		400	400	400	400	400									
Height under door (mm)		298	298	411	402	402									
Speed	Spin (rpm)	250 - 465	250 - 465	250 - 445	250 - 415	100 - 415									
	Wash (rpm)	10 - 50	10 - 50	10 - 50	10 - 50	10 - 50									
G-Force		82	82	82	82	82									
Kinetic energy of the cylinder (N/m)		1237	1543	2305	2620	3447									
Dynamic bottom load (N/Hz)		1622/7,75	2200/7,75	2600/7,4	3600/6,9	4737/6,9									
Power motor (kW)		1,1	1,1	1,5	2,2	3									
Water pressure (bar)		3 - 5	3 - 5	3 - 5	3 - 5	3 - 5									
Hot water temp (°C)		80	80	80	80	80									
Steam connection (")		3/8	3/8	1/2	1/2	1/2									
Warm water need (boiler fed) (L/cycle)		110	130	150	180	240									
Diameter drain (mm) ***		50 (2")	50 (2")	75 (3")	75 (3")	75 (3")									
Drain by gravity (L/min)		80	80	160	160	160									
Steam pressure (bar)		2,0 - 5,5	2,0 - 5,5	2,0 - 5,5	2,0 - 5,5	2,0 - 5,5									
Weight	Nett (kg)	306	307	383	534	560									
	Gross (kg)	328	329	443	584	605									
Dimensions	Height (mm)	1175	1175	1351	1386	1412									
	Width (mm)	780	780	860	990	990									
	Depth (mm)	760	860	927	1055	1360									
Packing dimensions	Height (mm)	1350	1350	1550	1610	1560									
	Width (mm)	850	850	970	1120	1120									
	Depth (mm)	950	1020	1140	1300	1470									
	Volume (m³)	1,09	1,17	1,71	2,34	2,57									
Type of heating		POWER SUPPLY - FUSES													
		230V 3AC	230V tri+N	400V	230V 3AC	230V tri+N	400V	230V 3AC	230V tri+N	400V	230V 3AC	230V tri+N	400V		
Boiler fed		16A			16A			16A			16A			32A 32A	
Steam heating		16A			16A			16A			16A			32A 32A	
Electrical heating 6 kW		40A	20A	16A	40A	20A	16A								
Electrical heating 9 kW		50A	32A	20A	50A	32A	20A	50A	32A	25A	63A	40A	25A		
Electrical heating 12 kW			40A	25A		40A	25A		40A	25A		50A	32A		
Electrical heating 15 kW			50A	32A		50A	32A		50A	32A		63A	40A		
Electrical heating 18 kW			63A*	32A*		63A*	32A*		63A*	40A*		63A*	40A		80A* NA
Electrical heating 21 kW				40A		40A			40A			50A			NA 60A
Electrical heating 24 kW				50A		50A			50A			50A*			NA 70A

All specifications subject to change without notice

* Standard heating

** 9 mm perforation diam. optionally available
*** Diameter drain 75 mm (3") optionally available from WF75 till WF185



Alliance International bvba, Nieuwstraat 146, B-8560 Wevelgem (Belgium)
Tel +32 56/41 20 54 - Fax +32 56/41 86 74 - info@ipso.be - WWW.IPSO.BE